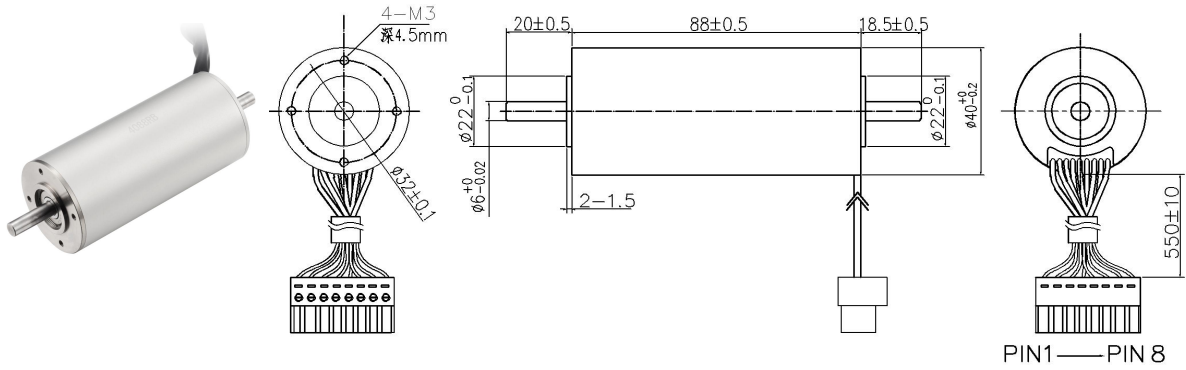


# 4088RB Coreless BLDC Motor

Coreless BLDC Motors



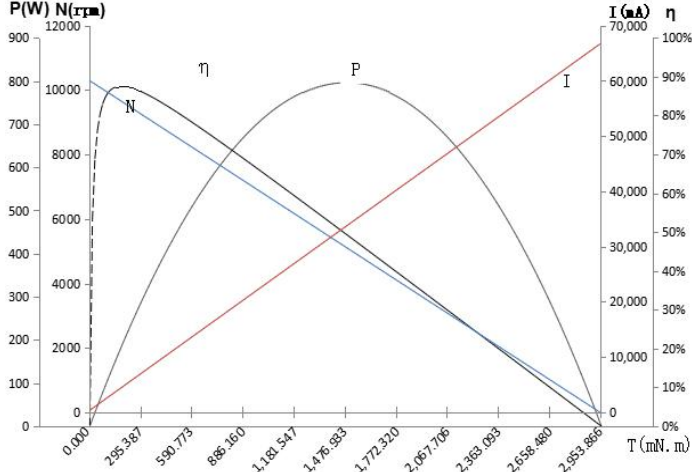
Typical Applications: Robot

电机参数 (Motor data)		03A	04A	02A			
额定电压下数值 (Values at nominal voltage)							
1 额定电压 (Nominal voltage)	V	32	36	48			
2 空载转速 (No load speed)	rpm	10600	7850	10300			
3 空载电流 (No load current)	mA	750	300	290			
4 额定转速 (Nominal speed)	rpm	10280	7450	9990			
5 额定转矩(最大连续转矩) (Nominal torque)	mNm	81.3	114.2	89			
6 额定电流(最大连续电流) (Nominal current)	A	3.5	2.9	2.28			
7 堵转转矩 (Stall torque)	mNm	2689.8	2271.7	2957.1			
8 堵转电流 (Stall current)	A	94.00	52	66.7			
9 最大效率 (Max efficiency)	%	83	86	88			
电机常数 (Motor constant)							
10 相间电阻 (Terminal resistance)	Ω	0.34	0.69	0.72			
11 转矩常数 (Torque constant)	mNm/A	28.25	42.92	43.61			
12 速度常数 (Speed constant)	rpm/V	331	218	215			

## 其他特性参数 Other characteristic parameters

- 13 环境温度范围 (Ambient temperature) -10~40°C
- 14 绕组最高允许温度 (Max permissible winding temperature) 120°C
- 15 最高允许转速 (Max permissible speed) 20000rpm
- 16 电极磁极对数 (Number of the pole pairs) 1
- 17 相数 (Number of Phases) 3
- 18 电机质量 (Weight) 457g

## 02A电机曲线图 motor curve



端子定义 (terminals):  
 PIN1-PIN3 电机绕组 (motor winding) 1-3  
 PIN4 GND  
 PIN5-PIN7 传感器 (sensors) 1-3  
 PIN8 VH11 2-18DC