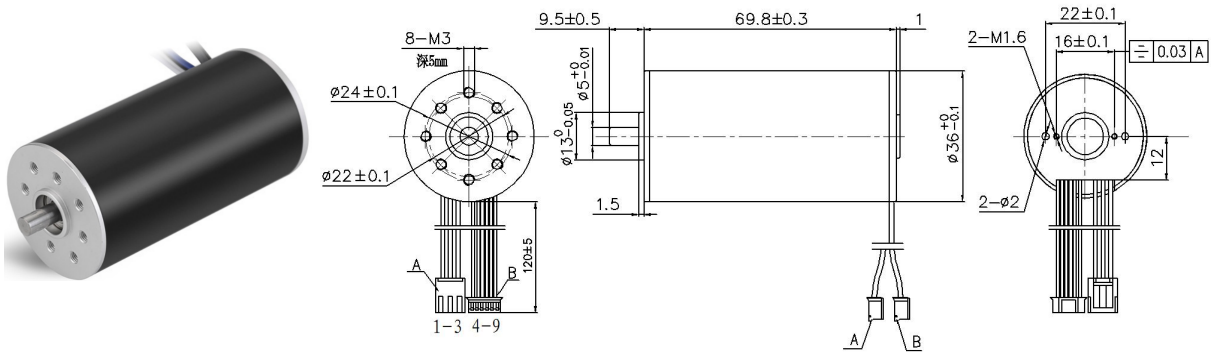


3670RB Coreless BLDC Motor

Coreless BLDC Motors



Typical Applications: AGV.Tools.Robot

电机参数 (Motor data)		05A	02A	06A	04A
额定电压下数值 (Values at nominal voltage)					
1 额定电压 (Nominal voltage)	V	15	24	24	30
2 空载转速 (No load speed)	rpm	7150	6800	16000	11680
3 空载电流 (No load current)	mA	300	160	650	320
4 额定转速 (Nominal speed)	rpm	6710	6120	15600	11210
5 额定转矩 (最大连续转矩) (Nominal torque)	mNm	54.6	67.4	37	49
6 额定电流 (最大连续电流) (Nominal current)	A	3.01	2.14	3.2	2.3
7 堵转转矩 (Stall torque)	mNm	904.6	674	1480	1217.7
8 堵转电流 (Stall current)	A	45.45	20	104.3	50
9 最大效率 (Max efficiency)	%	85	84	84	84
电机常数 (Motor constant)					
10 相间电阻 (Terminal resistance)	Ω	0.33	1.2	0.23	0.6
11 转矩常数 (Torque constant)	mNm/A	19.63	33.03	14.04	24.04
12 速度常数 (Speed constant)	rpm/V	477	283	667	389

其他特性参数 Other characteristic parameters

- 13 环境温度范围 (Ambient temperature) -10~40℃
 - 14 绕组最高允许温度 (Max permissible winding temperature) 120℃
 - 15 最高允许转速 (Max permissible speed) 20000rpm
 - 16 电极磁极对数 (Number of the pole pairs) 1
 - 17 相数 (Number of Phases) 3
 - 18 电机质量 (Weight) 325g
- 端子定义
 Connection A: VHR-3N PH3.96
 UL1430 AWG20 PVC
 1-MC (white)
 2-MB (black)
 3-MA (blue)
 Connection B: JST A2001H-6P PH2.0
 UL1332 PTEF AWG24
 4-GND (black)
 5-HC (black)
 6-HB (black)
 7-HA (black)
 8-VCC (black)
 9-NTC (black)

02A电机曲线图 motor curve

